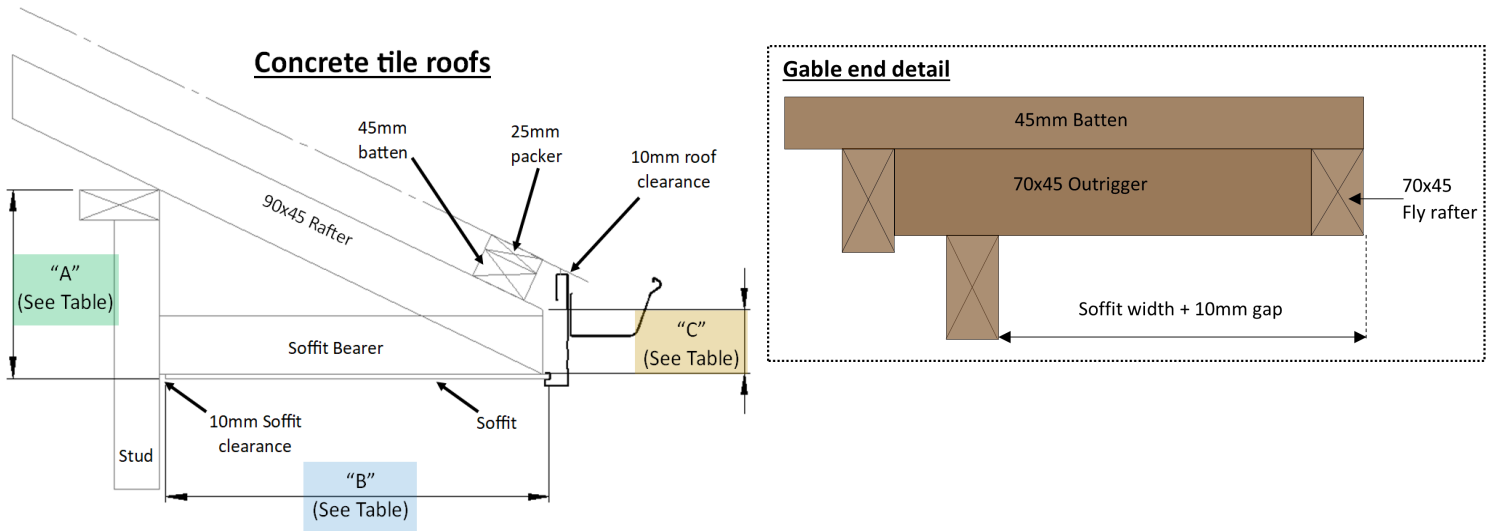


CONSTRUCTION DETAIL & COMMON DROP HEIGHTS FOR: 140 N-LINE Fascia Panel with Concrete tile roof



Roof Pitch (Degrees)	Drop Heights (mm)—Dimension "A" (See notes at bottom of table)					Toe Cut (mm) Dimension "C"
	Soffit Width (mm) - Dimension "B"					
	300	450mm	600mm	750mm	900mm	
15.0	55	95	135	175	216	65
17.5	69	116	163	211	258	65
20.0	83	137	192	247	301	65
22.5	97	159	221	283	345	65
25.0	111	181	251	321	391	65
27.5	126	204	282	360	438	65
30.0	140	227	314	400	487	65
35.0*	171*	276*	381*	486*	591*	64*
40.0*	205*	331*	456*	582*	708*	62*
45.0*	242*	392*	542*	692*	842*	59*

Drop Height "A" is calculated assuming the following constants:

Soffit clearance=10mm ; Roof clearance=10mm ; Rafter height=90mm ; Batten height=45mm + 25mm packer on last batten=70mm

* Roof pitch over 30 degrees may require a horizontal fascia return and boxed soffit at gable corners.

NOTE: For different roof pitch's and soffit widths, visit our online drop height calculator at:

www.continuous.co.nz/fascia-panel/truss-series/140-N-Line