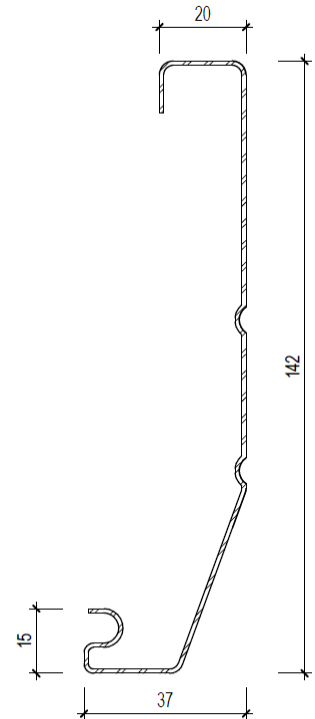




## 140 Bevel Fascia

### Overview

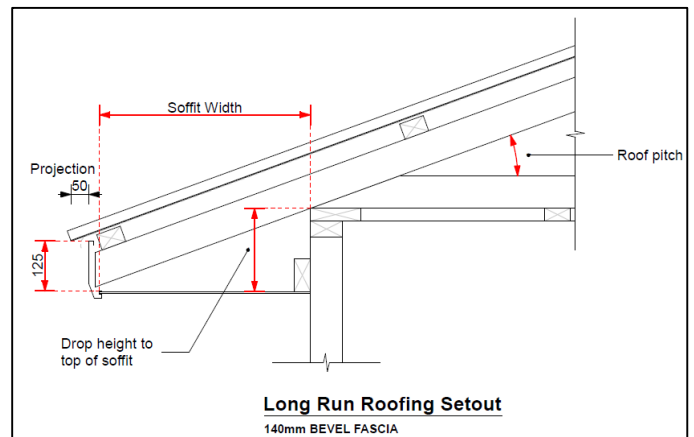
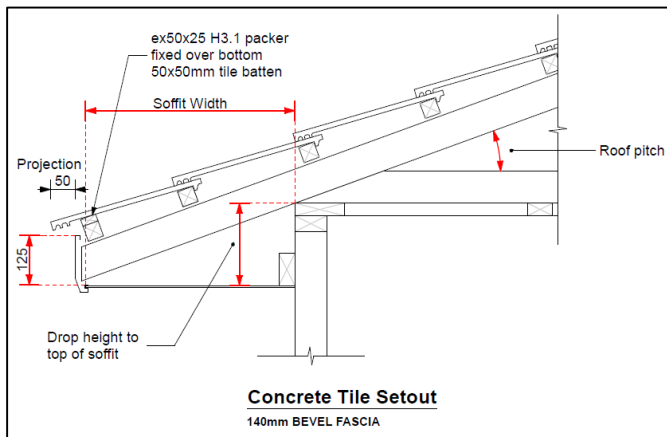
When less is more, the 140 Bevel Fascia will deliver a superb low profile outline.



### Specifier Notes

This Fascia should not be used in conjunction with 150 Half Round/150 OG & Texan.

Note: this product is not suitable for Category 5 "Very Severe Marine" locations



### Quick Reference Data

	Cross Section Area	Downpipe size options	Material Availability	Bracket Types	Bracket Material
140 Bevel	N/A	N/A	0.5mm ZR8 0.5mm ZM8	N//A	Galv

**Availability:** Waikato & Bay of Plenty, South Island (excl. Nelson, Buller & Marlborough)