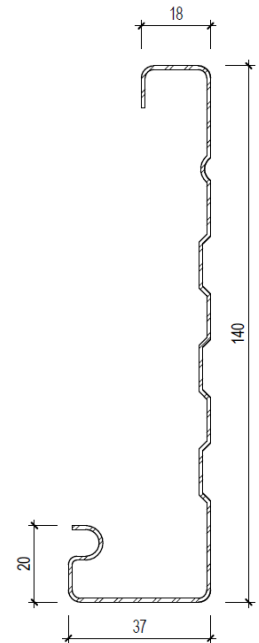




140 N-Line Fascia

Overview

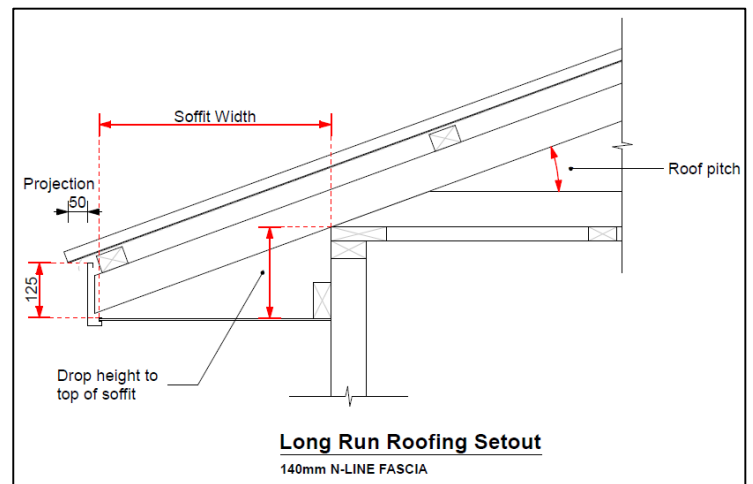
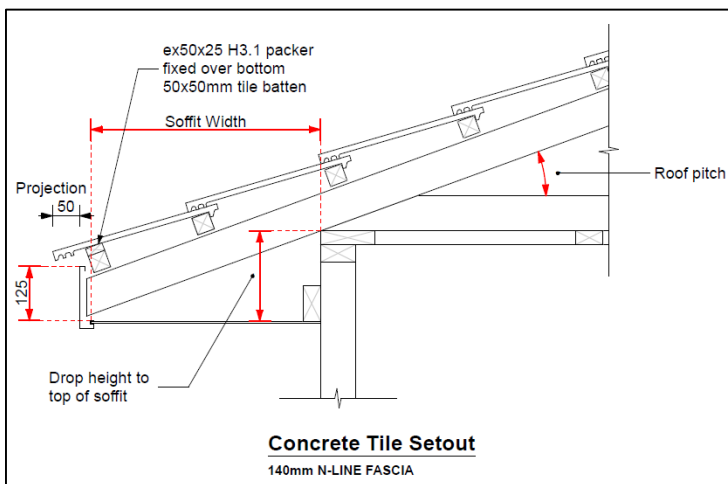
When less is more, the 140 N Line Fascia will deliver a superb low profile outline.



Specifier Notes

Can be used with any Continuous profile, however better suited to 125 OG & Quarter Round.

Note: This product is not suitable for Category 5 "Very Severe Marine" locations.



Quick Reference Data

	Cross Section Area	Downpipe size options	Material Availability	Bracket Types	Bracket Material
140 N-Line	N/A	N/A	0.5mm ZR8	N/A	Galv
			0.5mm ZM8		

Availability: Auckland & Wellington