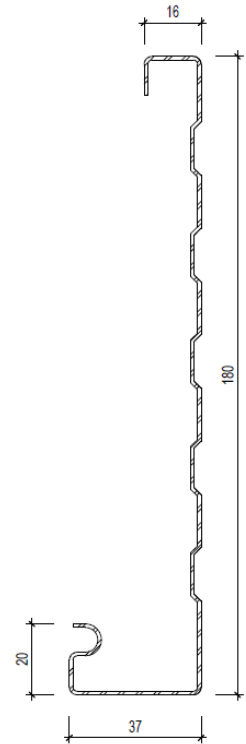




180 R5 Fascia

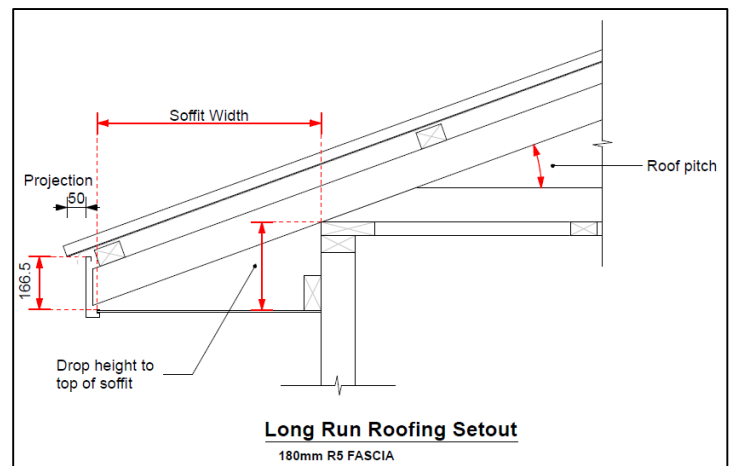
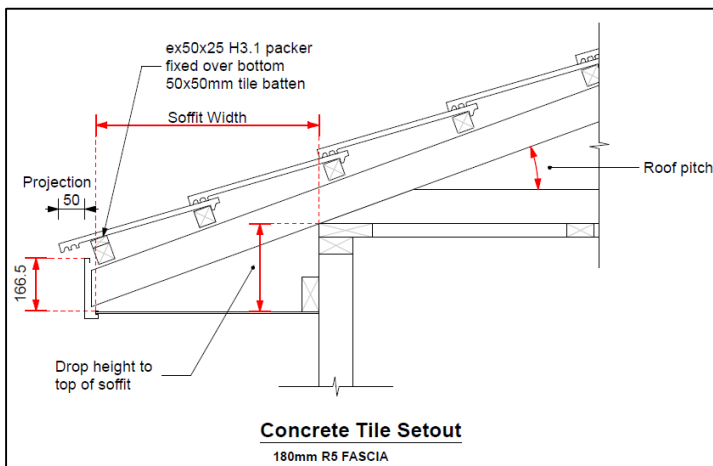
Overview

180 R5 Fascia will provide a superb, low maintenance finish, perfectly colour matched to the spouting profile selected.



Specifier Notes

Note: This product is not suitable for Category 5 "Very Severe Marine" locations.



Quick Reference Data

| | Cross Section Area | Downpipe size options | Material Availability | Bracket Types | Bracket Material |
|--------|--------------------|-----------------------|------------------------|---------------|------------------|
| 180 R5 | N/A | N/A | 0.5mm ZR8 0.5mm ZM8 | N/A | Galv |

Availability: Waikato & Bay of Plenty, Hawkes Bay & Northland