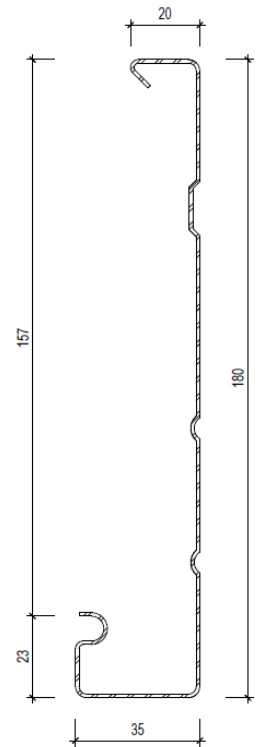




180 S-Line Fascia

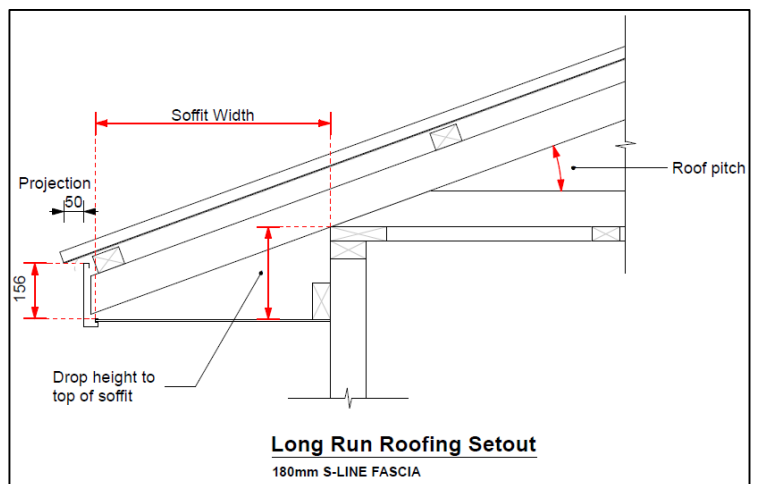
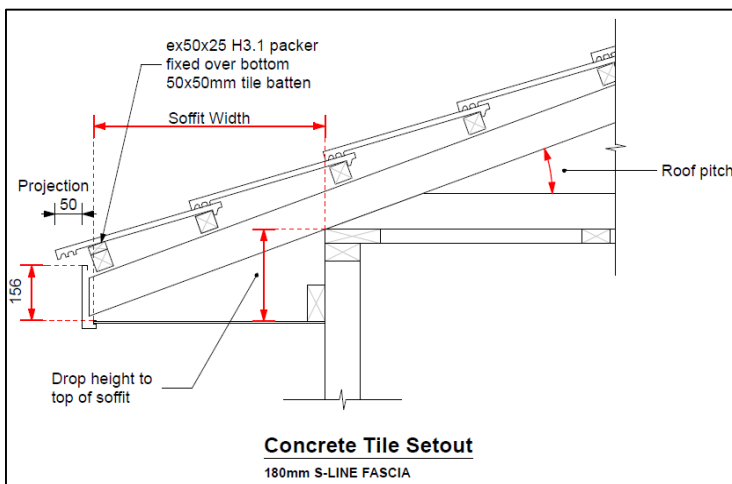
Overview

180 S-Line Fascia will provide a superb, low maintenance finish, perfectly colour matched to the spouting profile selected.



Specifier Notes

Note: This product is not suitable for Category 5 "Very Severe Marine" locations.



Quick Reference Data

	Cross Section Area	Downpipe size options	Material Availability	Bracket Types	Bracket Material
180 S-Line	N/A	N/A	0.5mm ZR8 0.5mm ZM8	N/A	Galv

Availability: South Island & Gisborne