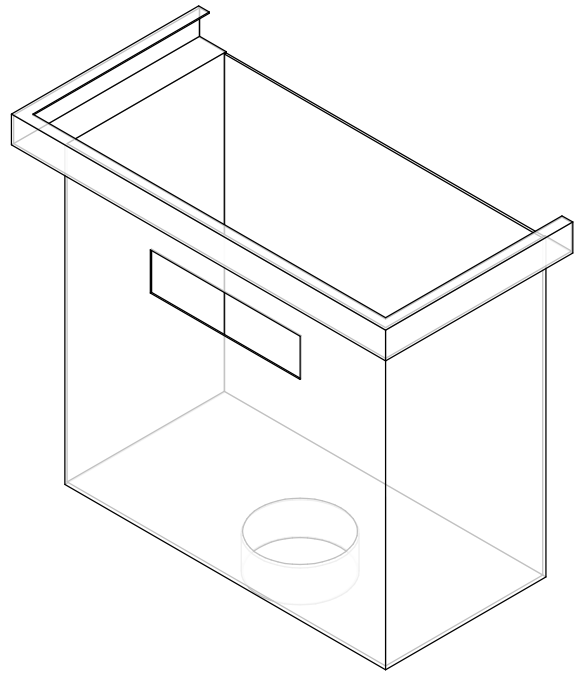
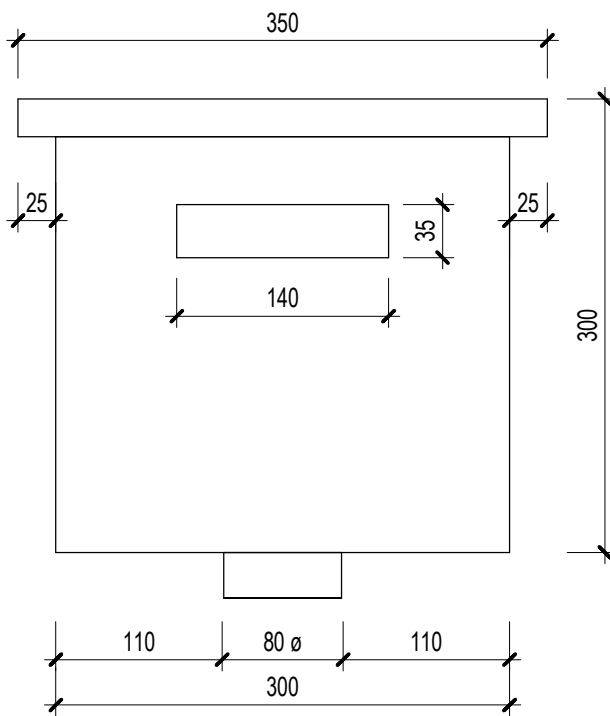


PLAN DETAIL

1 : 5

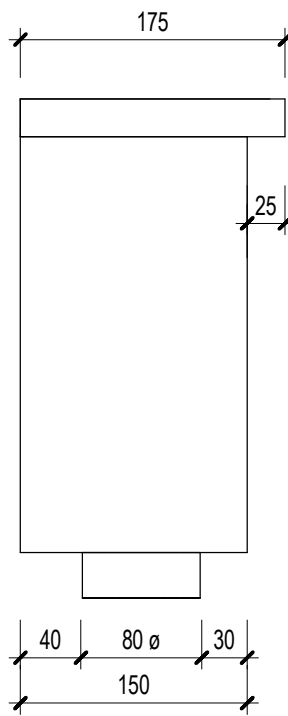


3D ISOMETRIC



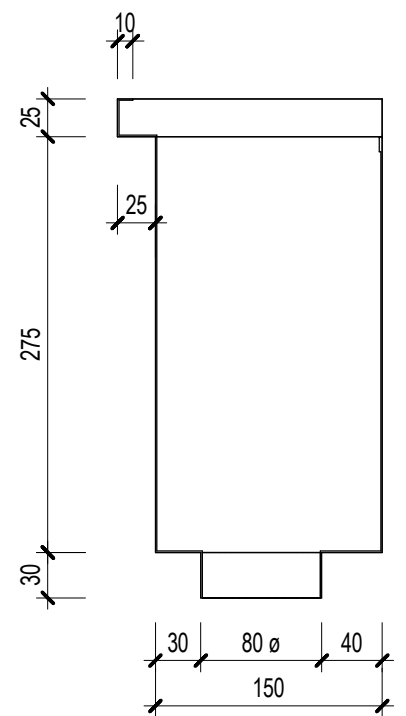
ELEVATION FRONT

1 : 5



ELEVATION LEFT

1 : 5



SECTION

1 : 5

NOTE: OVERFLOW LOCATION INDICATIVE ONLY. OVERFLOW LOCATIONS ARE CUT ON SITE TO SUIT

SHEET TITLE

MAILBOX (LIPPED) RAINWATER HEAD

CG.RHW.2

A 01/12/14

1 : 5 @ A4

11/21/14

cadesign
(021) 655 325
DRAWN

p: 0800 501 993
e: sales@continuous.co.nz
w: www.continuous.co.nz



Continuous Group
Spouting Fascia Downpipes

SHEET

REV

SCALE

ISSUED DATE

DRAWN