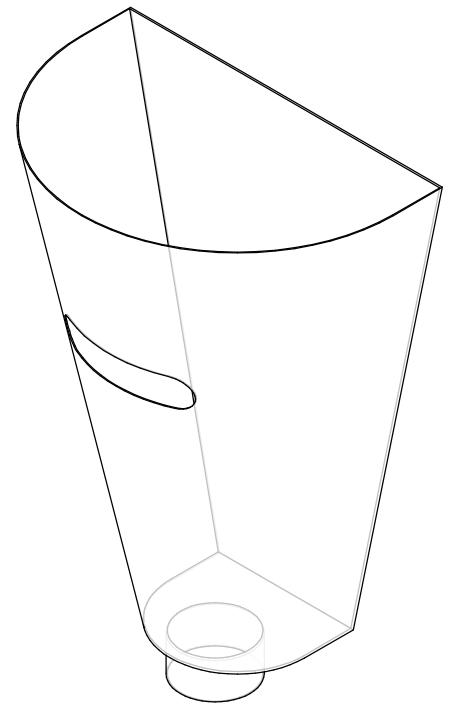
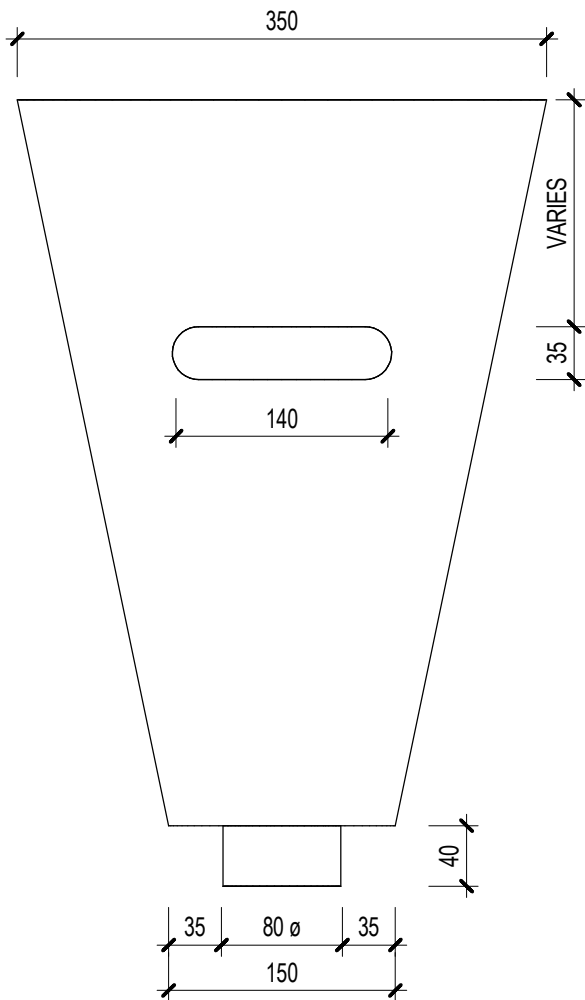


PLAN DETAIL

1:5

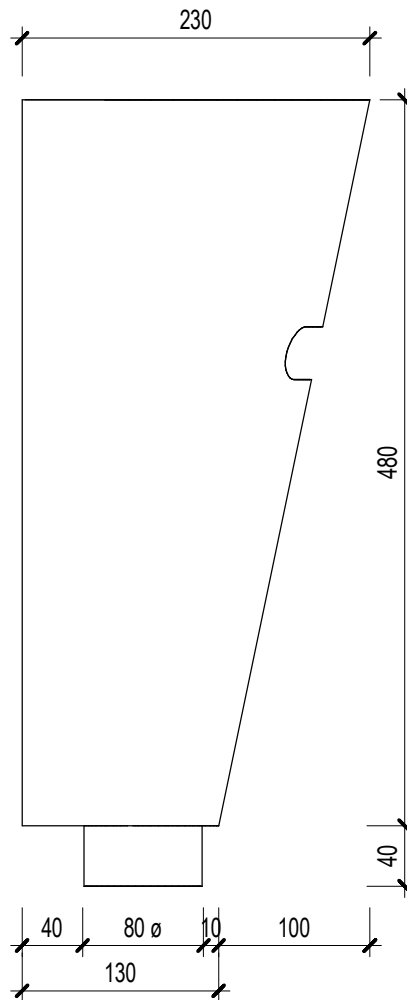


3D ISOMETRIC



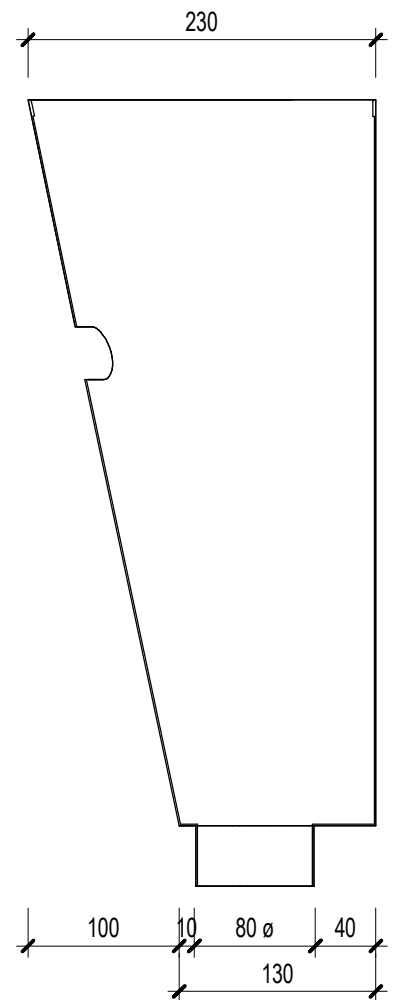
ELEVATION FRONT

1:5



ELEVATION LEFT

1:5



SECTION

1:5

NOTE: OVERFLOW LOCATION INDICATIVE ONLY. OVERFLOW LOCATIONS ARE CUT ON SITE TO SUIT

SHEET TITLE

# NED KELLY RAINWATER HEAD

CG.RHW.3

A 01/12/14

1:5 @ A4

11/21/14

cadesign  
(021) 655 325  
DRAWN

p: 0800 501 993  
e: sales@continuous.co.nz  
w: www.continuous.co.nz



**Continuous Group**  
Spouting Fascia Downpipes

SHEET

REV

SCALE

ISSUED DATE