



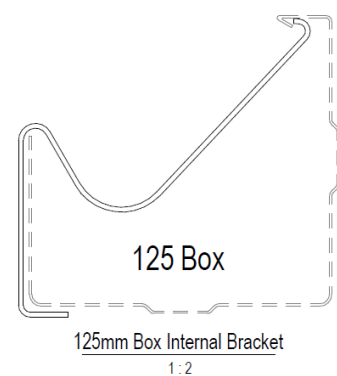
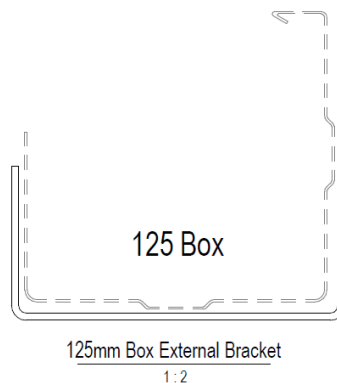
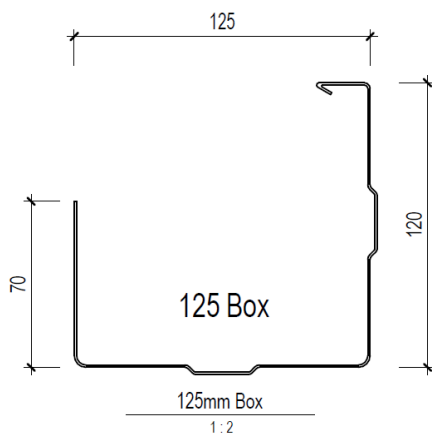
125 Box

Overview

No need to think outside the box here. Box gutter suits both contemporary and traditional kiwi homes. The 125 Box has a big capacity and can handle plenty of water, which is a real benefit when a larger spouting would look out of place.

Specifier Notes

With 50mm offset between front and back, 125 Box has the best roof edge coverage in the 125 to 135mm class.



Quick Reference Data

	Cross Section Area	Downpipe size options	Material Availability	Bracket Types	Bracket Material
125 Box	8750mm ²	65mm	0.60mm Copper	Internal	Aluminium
		80mm	0.5mm ZR8	External	Copper
		100mm	0.5mm ZM8		