



125 Half Round

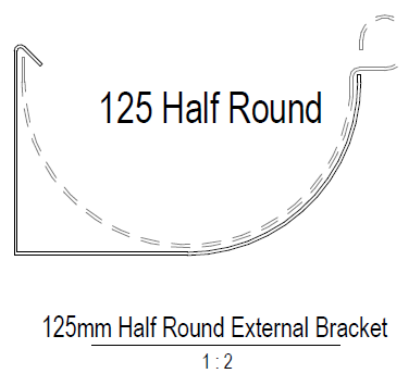
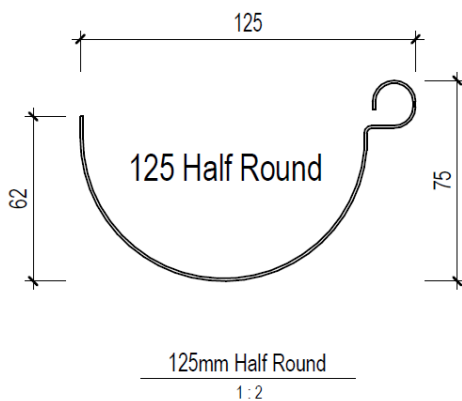
Overview

Like its big brother (150 Half Round) this profile will bring an outstanding finish that quietly but firmly demonstrates attention to detail on any Kiwi home. The Half Round in either size is consistently selected for premium residential builds by architects

and specifiers, as its European lineage provides stunning aesthetics in conjunction with excellent performance.

Specifier Notes

125 Half Round will only provide limited roof edge coverage. For low pitched roofs and/or roofs with heavy edge profiles, 150 Half Round should be considered.



Quick Reference Data

	Cross Section Area	Downpipe size options	Material Availability	Bracket Types	Bracket Material
125 Half Round	6150mm ²	65mm	0.50mm Copper	External	Aluminium
		80mm	0.5mm ZR8		Brass
			0.5mm ZM8		